



MD 95

Ref : MX010 / MX008



DESCRIPTION

- Lightweight, quick, efficient and sturdy
- Non detachable mixer tool: ensures durability of the mixer
- Safety button
- Variable speed optional
- Double insulation
- Stainless steel mixer tube and guard
- 2 blades available: standard or emulsifying
- Titanium-plated blades easy to remove
- Recommended by "L'Ecole du Grand Chocolat Valrhona"

REFERENCES



MX010 : standard blade



MX008 : emulsifying blade



USE

It allows to mix, directly in the pots, small capacities of soups, panades (thick soup reduced to puree), salad dressings, pancakes paste, gravies, sauces, mayonnaise, puree of vegetables lightly pulverized, porridge, raw carrots puree, fruits cream ...

With its emulsifying blade, the MD 95 is ideal for dairy and pastry products.

Capacity : 4 to 12 Liters



MAINTENANCE

Put the tube with the blade protector in clear water and start the machine for 3 seconds or more to clean the inside of the blade protector.

Clean the outside of the tube and the blade protector by passing it under the faucet.

Wash the motor block with a sponge or with a slightly damp cloth.

Never clean this machine with water jet spray or in the dishwasher.



TECHNICAL DATA

OUTPUT MAX	250 W
SPEED	11500 R.P.M.
VOLTAGE	110 - 120 V or 220 - 240 V
TOTAL LENGTH	445 mm
SHAFT LENGTH	160 mm
DIAMETER	72 mm
ACTUAL WEIGHT	1,2 kg

www.dynamicmixers.com

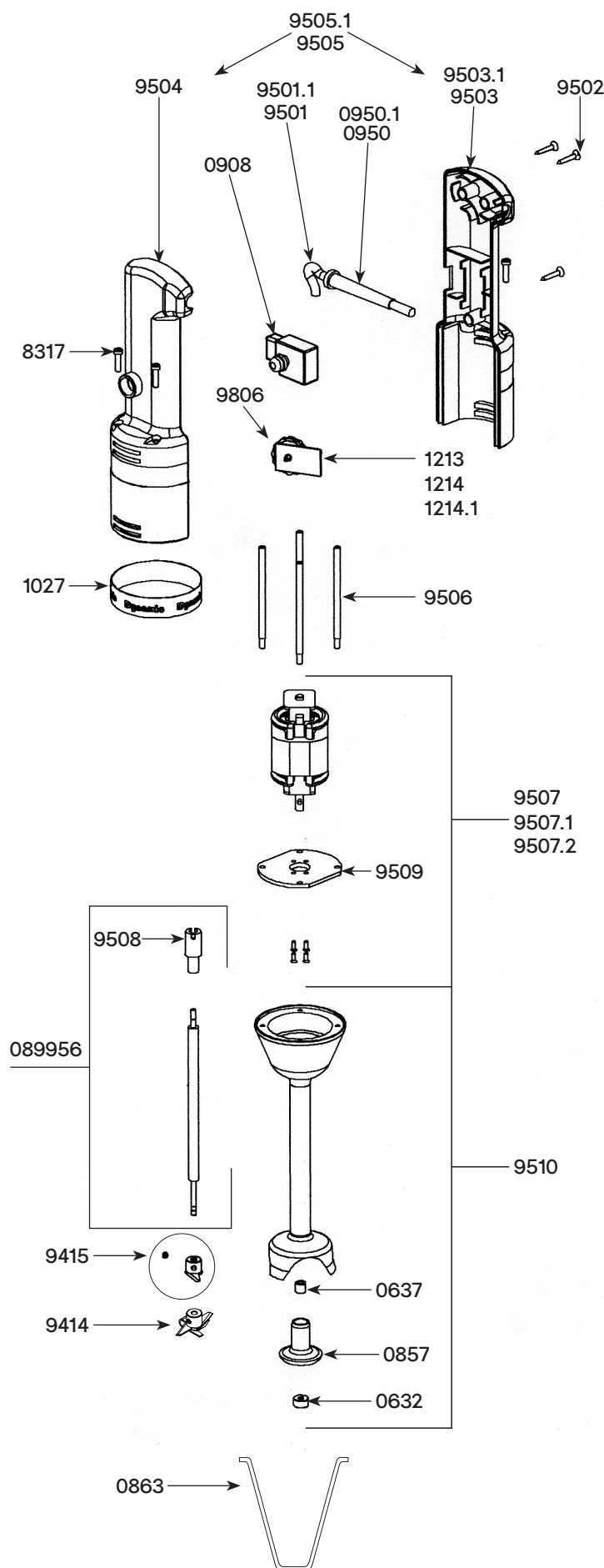
Dynamic - 518 rue Léo Baekeland BP57 - 85290 Mortagne sur Sèvre

Tel : +33 (0)2 51 63 02 72 • E-mail : export@dynamicmixers.com

Follow us on social networks!



TECHNICAL SHEET



Parts list

Code

Waterproof seal	0632
Self-lubricating ring	0637
Bearing holder	0857
Hook	0863
Complete stainless steel shaft + coupling	089956
Non-locking switch	0908
Filtering Capacitor	0909
Strain relief 230 V	0950
Strain relief 115 V	0950.1
Dynamic label	1027
Variator 230V	1213
Variator 115V	1214
Circuit board 115V from the N° 17/00865	1214.1
Brace screws (4)	8317
Power cord (UK)	9067
Emulsifying blade	9414
Cutter blade w/screws	9415
Power cord 230 V	9501
Power cord 115 V	9501.1
Handle screws (3)	9502
Lower handle w/ label 230 V	9503
Lower handle w/ label 115 V	9503.1
Upper half handle	9504
Complete handle 230 V (w/ sticker, screws, logo, switch, strain relief, power cord)	9505
Complete handle 115 V (w/ sticker, screws, logo, switch, strain relief, power cord)	9505.1
Braces (4)	9506
Motor & screw & capacitor 230 V	9507
Motor & screw & capacitor 115 V	9507.1
Motor & screw & capacitor 115 V from the N° 17/00865	9507.2
Coupling sleeve	9508
Motor holder w/ 4 screws	9509
Foot assembly w/ bearing (exc. shaft + blade)	9510
Carbon brushes (2) 230 V	9512
Carbon brushes (2) 115 V	9512.1
Variable speed control knob	9806